



Bobcat[®]

418 Compact Excavator



One Tough Animal[™]

THE NEW 418 ZTS COMPACT EXCAVATOR

Specifications

PERFORMANCE

418

Operating weight (canopy, rubber tracks, std bucket)	2,593 lb. (1176 kg)
Travel speed – low / high	1.3 / 2.1 mph (2.1 / 3.1 km/hr.)
Hydraulic pumps	Gear Pump
Type	
Total capacity	5.3 gpm (20 L/min.)
Auxiliary flow	2,756 psi (190 bar)
Auxiliary relief	Rubber
Track shoes	
Width	7.1 in. (180 mm)
Ground pressure	4.31 psi (29.7 kPa)
Overall width	
Retracted	27.95 in. (710 mm)
Expanded	43.3 in. (1100 mm)
Canopy height	87 in. (2210 mm)

WORKING RANGE

Arm length	31.9 in. (810 mm)
Dig depth	6 ft. (1820 mm)
Reach (at ground level)	10 ft. 1 in. (3093 mm)
Dump height clearance	5 ft. 11 in. (1817 mm)
Arm breakout force	1,248 lbf. (5550 N)
Bucket breakout force	1,865 lbf. (8294 N)
Drawbar pull	2,227 lbf. (9905 N)

ENGINE

Model	D722 (Kubota)
Fuel/cooling	Diesel / Liquid
Cylinders/displacement	3 / 43.88 cu. in. (0.72 L)
hp / rpm	9.9 hp (7.4 kW) @ 2000 rpm

CAPACITIES

Fuel tank	4.22 gal. (16 L)
Cooling system	0.8 gal. (3 L)

DRIVE/SWING SYSTEM

Track tensioning system	Grease cylinder/coil spring
Slew speed	9 rpm
Tailswing overhang	0 in. (ZTS-Expanded)
Boom swing	
Left	70°
Right	70°

FEATURES

7.1 in. rubber tracks	Std
Hydraulically retractable Undercarriage (27.9 in. – 43.3 in.)	Std
2-Speed travel	Std
Control console locks	Std
Horn	Std
Two-way auxiliary hydraulics	Std
Control pattern selector valve	Std
Adjustable joystick consoles	Std
Hydraulic joystick control	Std
Power port	Std
Zero tail swing	Std
Retractable seatbelt	Std
Spark arrester muffler	Std
Fold-Down TOPS operator guard	Std
Work light (boom mounted)	Std
Catalytic exhaust purifier kit	Opt
Strobe kit	Opt
Motion alarm kit	Opt
Beacon kit	Opt

WARRANTY

Warranty 12 month, unlimited hours

Std



Adjustable Joystick Consoles



Zero Tail Swing

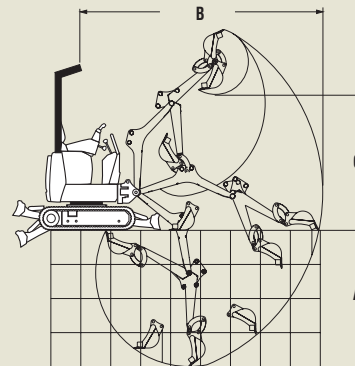
Small... Powerful... Comfortable.

With a retracted track width of less than 28 inches wide, the ultra-compact 418 can access jobsites where exhausting hand labor is your only other option. Only Bobcat gives you the features to be more comfortable, go through narrower openings and to operate in tighter conditions with confidence.

Bobcat Features include:

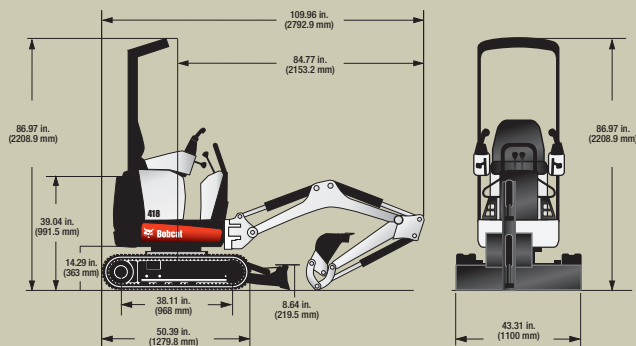
- Exclusive, adjustable joystick consoles—so you can position the joysticks outward for comfort, or inward for access through narrow openings (gates, doorways, etc.)
- Zero tail swing optimizes spoil placement without damaging nearby objects.
- Fold-down Tip Over Protective Structure (TOPS) allows this compact machine to pass underneath branches, low openings and through doorways.
- Retractable undercarriage—retract for access through gates and doorways.
- Selectable control pattern: ISO or standard joystick controls.
- Hydraulic joystick control for smooth, fluid operation and increased efficiency.
- Two-speed travel for increased mobility around the jobsite.
- Top-mounted boom cylinder protects from impact in the trench and from jobsite surroundings.
- Protected workgroup hoses are routed through the inside of the workgroup for minimal wear and tear.

WORKING RANGE



418

A. Max. Digging Depth.....	6 ft. (1820 mm)
B. Reach at Ground Level.....	10 ft. 1 in. (3093 mm)
C. Dump Height.....	5 ft. 11 in. (1817.8 mm)



NOTE — Where applicable, dimensions are in accordance with Society of Automotive Engineers (SAE) and ISO standards. Specifications and design are subject to change without notice. Pictures of Bobcat excavators may show other than standard equipment. All dimensions are shown in inches. Respective metric dimensions are enclosed by parentheses. Bobcat Company complies with the requirements of ISO 9001 as registered with BSI.

Bobcat Attachments for this model:

- Trenching bucket
- Grading bucket
- Breaker

Bobcat Company

P.O. Box 6000 • West Fargo, ND 58078
www.bobcat.com



Bobcat®